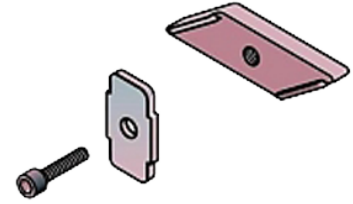


RSB clamping plate for anchor bar including reinforcement plate and screw

Product Description

The set consists of a clamping plate made of aluminium including stainless steel reinforcement plate and stainless steel screw M6



Features/Benefits

Technical Specifications

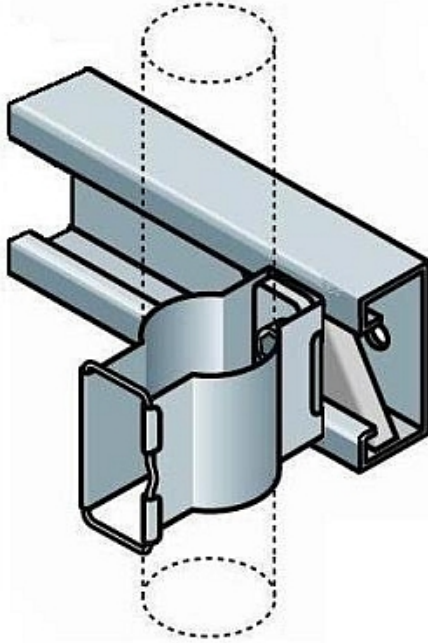
Product Line	Coaxial Cable Accessories, Elliptical Waveguide Accessories
Product Type	Hanger
Hanger Type	RSB clamping plate for anchor bar
Installation Hardware Type	Anchor bar with slotwidth 18 to 22 mm (0.7 to 0.9 inch)
Coaxial Cable Type	Foam Dielectric
Number of Cable / Waveguide Runs	1
Material	Clamping plate: Aluminium Reinforcement plate: Stainless steel Screw: Stainless steel
Installation Temperature, °C(°F)	-50 to +85 (-58 to +185)
Operation Temperature, °C(°F)	-50 to +85 (-58 to +185)
Storage Temperature, °C(°F)	-50 to +85 (-58 to +185)
Package Quantity	10

Notes

Other Documentation



RSB clamping plate for anchor bar including reinforcement plate and screw



All information contained in the present datasheet is subject to confirmation at time of ordering