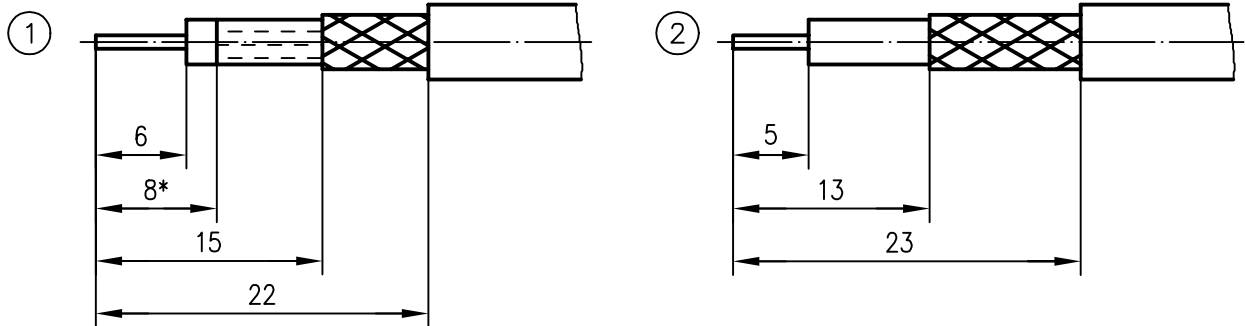
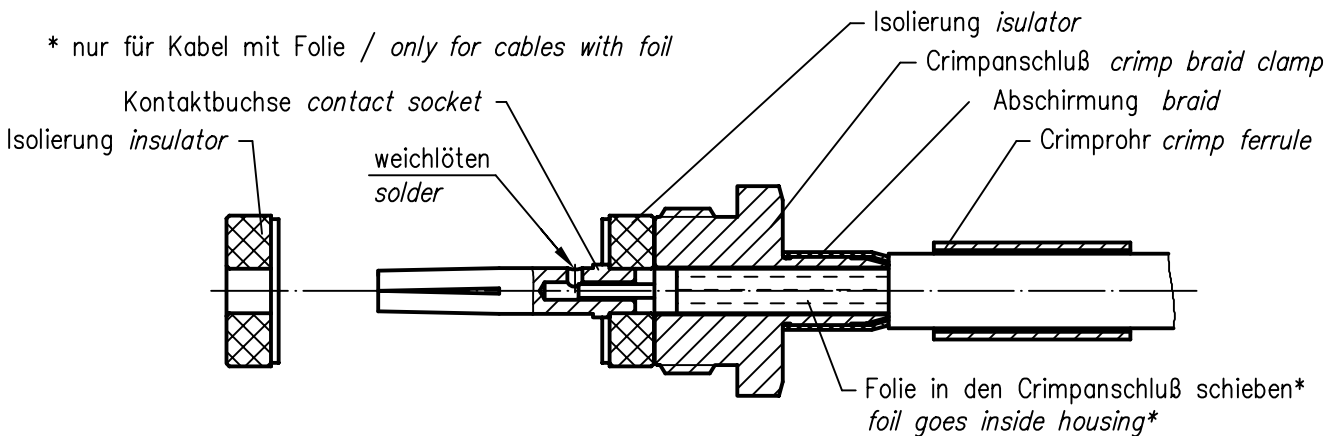


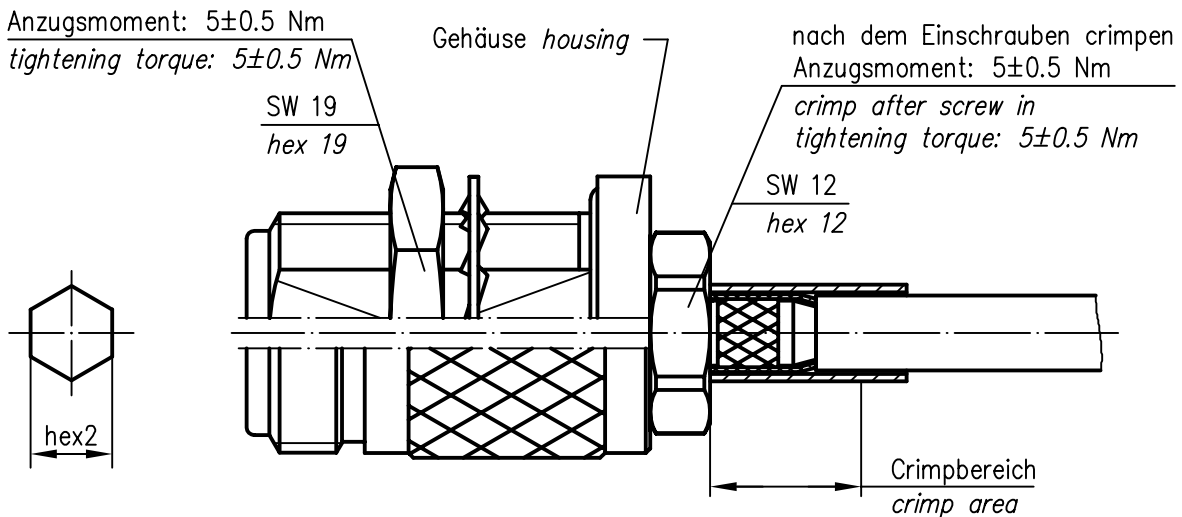
Abisoliermaße *stripping instruction*



\* nur für Kabel mit Folie / *only for cables with foil*



Anzugsmoment:  $5 \pm 0.5$  Nm  
*tightening torque:  $5 \pm 0.5$  Nm*



| XX | Crimpeinsatz<br><i>crimp insert</i> | 6kt.1 x Länge<br><i>hex1 x length</i> | 6kt.2 x Länge<br><i>hex2 x length</i> | Abisoliermaße<br><i>stripping instruction</i> |  |
|----|-------------------------------------|---------------------------------------|---------------------------------------|---|--|
| 05 | N01001A0005                         |                                       | 5.41x8                                | ①   |  |
| 12 | N01001D1274                         |                                       | 10.9x10                               | ②   |  |
| 31 | N01001A0056                         |                                       | 6.48x8                                | ①   |  |

|                       |                                 |                      |                     |
|-----------------------|---------------------------------|----------------------|---------------------|
| e                     | 17233                           | 25.11.05             | JA                  |
| d                     | 12656                           | 06.07.01             | MA                  |
| c                     | 8837                            | 25.02.98             | BE                  |
| b                     | 8238                            | 27.08.97             | ZM                  |
| Index<br><i>index</i> | Änderung<br><i>modification</i> | Datum<br><i>date</i> | Name<br><i>name</i> |

|                       |                      |                     |
|-----------------------|----------------------|---------------------|
|                       | Datum<br><i>date</i> | Name<br><i>name</i> |
| Gez.<br><i>drawn</i>  | 01.07.94             | Beyer               |
| Gepr.<br><i>app'd</i> | 01.07.94             | PU                  |

**Series N crimp  
Serie N crimp**

|                 |             |
|-----------------|-------------|
| Untert.-<br>Art | TG-Nr.      |
| R               | T00100B0900 |

Ersatz für/replacement for  
Zeichnung vom 06.08.91



|                             |    |                       |     |
|-----------------------------|----|-----------------------|-----|
| Original<br><i>original</i> | A4 | Blatt<br><i>sheet</i> | 1/1 |
|-----------------------------|----|-----------------------|-----|

|                         |     |
|-------------------------|-----|
| Maßstab<br><i>scale</i> | 2:1 |
|-------------------------|-----|